

DL-106+TM-103R

120V Line Voltage

6" NON-IC Type Housing with Reflector for Heat Lamp (R40/250W)

| | | |
|-------------|--|------|
| Catalog # | | Type |
| Project | | Date |
| Prepared by | | |

INCANDESCENT

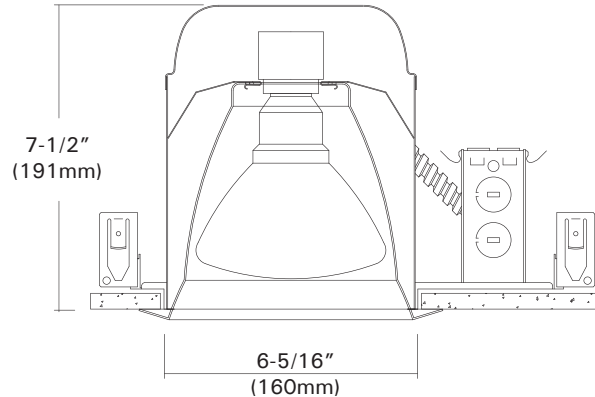


DESCRIPTION

The DL-106 is a 6" aperture housing for accent and task lighting.

APPLICATION

The DL-106 is designed for use in both non-insulated and insulated ceilings. Insulation must be kept a minimum of 3" from all sides of the housing.



DESIGN FEATURES

Ceiling Cut-out : 6-1/2"
Lamp, Max, Watt. : 250W R40

• Housing

- Galvanized steel housing.
- 7-1/2" height allows use in 2"X8" joist construction.
- Housing adjusts for ceilings up to 1-1/4" thick.

• Junction Box

- Listed for through branch circuit wiring. (Max. 8 No 12 AWG 90°C branch circuit conductors. (4 in, 4 out)
- (5) 1/2" knockouts with true pry-out slots and (4) knockouts with Romex cable clamp.
- Ground wire provided on J-box.

• Mounting Frame

- Galvanized steel construction.
- 10-3/8"L x 7-1/16"W

• Bar Hangers

- Maximum extension of 24" allows for extra distance between joists.
- Housing can be positioned at any point within 24" joist span.
- Score lines allow "toolless" shortening for 12" joists. Bar hangers may be repositioned 90 degrees.
- Integral T-bar clips snaps onto T-bars and no additional clips are required.

• Socket

- Medium base porcelain with nickel-plated copper screw shell.
- Snaps into top of reflector.

• Reflector

- Designed to use of max. 250W R40

• Thermal Protector

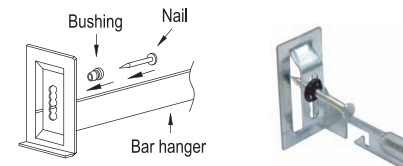
- Self-resetting thermal protector in the housing deactivates fixture if overheating occurs due to improper lamping or insulation.

* Listing

- UL, c-UL listed for damp location.
- UL, c-UL listed for feed through.

• Just-A-Nail

Adjustable nail hanger bar for easy alignment.



JUST-A-NAIL

• Optional "Quick Connect" Push-in wire connectors.

- Three "Quick Connectors"
- Pre-installed push-in wire connectors for fast and easy wiring.

TRIM



TM-103R

Specular White Reflector R40-250W

Examples:
TM-103R = White Trim Ring
O.D : 7-1/2"
Self-flange standard